

LIQUI-TECT® 410

Point Leak Detection Sensor

Description

The Liqui-TECT 410 (LT410) provides a single-point detection of leaks. The point detection sensor has two gold-plated sensing probes to prevent corrosion resistance and to provide accurate readings. The LT410 constantly monitors points for leaks, internal faults and power failures and warns of any abnormal conditions. Mounting brackets allow for sensor height adjustment and leveling.



The LT410 is the ideal solution for sensing leaks under a raised computer floor or air conditioning drip pans. Two independent outputs provide added flexibility with the capacity to signal both a local alarm panel and a remote building management system or external equipment, such as motorized water shut-off valves. The LT410 is also ideally suited for the following:

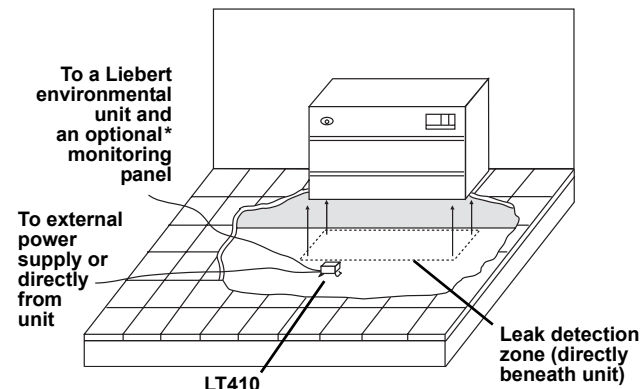
Applications

- Glycol, Chilled Water Cooling
- Humidification Feed Water Piping
- Condensate Pumps and Drains
- Unit and Ceiling Auxiliary Drip Pans
- Overhead Piping Troughs

Locations

- Large-Scale Network Control Centers
- Data Centers
- Server Rooms - Closets
- Unattended Remote Shelters
- Mechanical Equipment Rooms
- Sensitive Areas With Overhead Piping
- Industrial Process Control Rooms

Placement on Subfloor Under Cooling Support Equipment

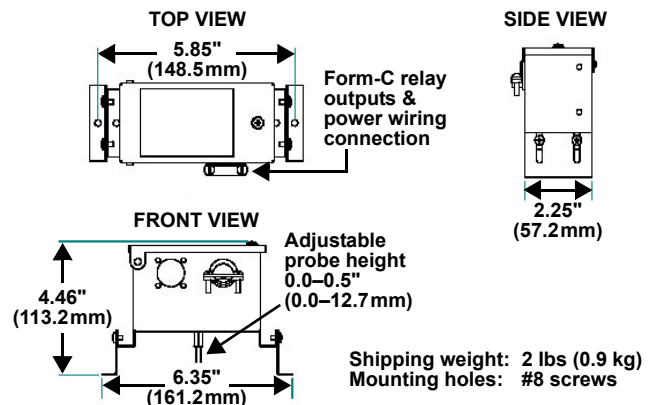


* Output connections to external alarm monitoring panels such as the Liebert contact closure alarm panels

Specifications

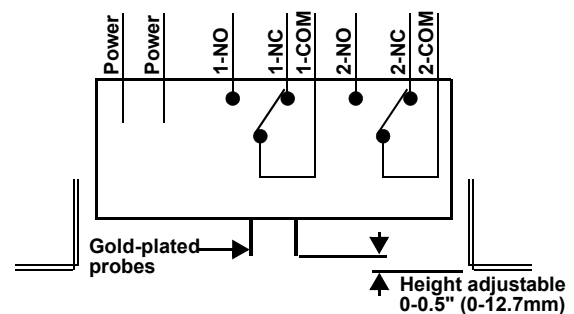
Liqui-TECT 410 Sensor	
Power requirements	24 VAC 100 mA, 50/60 Hz, 3 VA (max.)
Dimensions W x D x H	6.35" x 2.25" x 4.46" (161.2 mm x 57.2 mm x 113.2 mm)
Weight (assembled)	2.0 lbs (0.9 kg)
Metal enclosure	NEMA 1, IP 30
Environmental Conditions	
Operating temperature	50°F to 104°F (10°C to 40°C)
Operating humidity	10% to 95% relative humidity (non-condensing)
Operating altitude	0 to 10,000 ft (0 to 3,048 m)
Output Relays	
Contact rating	2 Form-C; 3 A rating at 24 VAC
Agency Listings	
UL	UL916
C-UL	C22.2, No. 205-M1983
CE	Yes
FCC Compliance	47 CFR, Part 15

Dimensions-Top, Front & Side Views



Wiring Interconnections

Red Wires	Orange Wires	Yellow Wires
24 V, AC/DC @0.10A, 50-60Hz, DC Class 2 Circuit Only	Alarm Contact Rating 24 VAC @ 3A Class 2 Circuit Only	Alarm Contact Rating 24 VAC @ 3A Class 2 Circuit Only



Ordering Information

Product Number	Quantity	Description
LT410		Point Leak Detection Sensor

Power Wiring

The LT410 is rated for 24 VAC, 50/60 Hz and 0.10 amp.

Figure 1 24V from Liebert environmental units to LT410

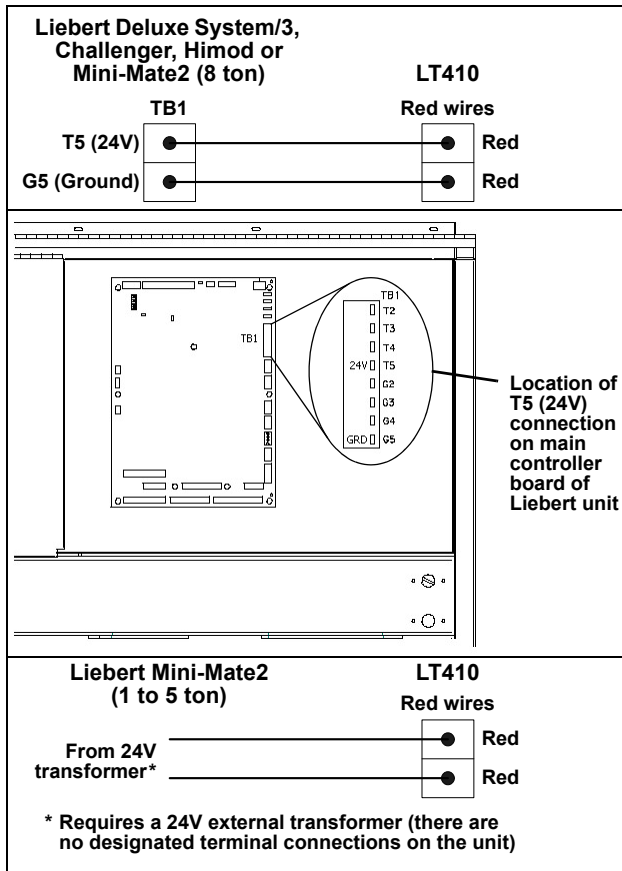
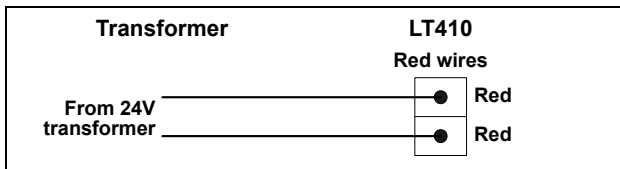


Figure 2 24V from transformer to LT410



Wiring to Auxiliary Alarm Panels

The LT410 has two Form-C dry contact alarm output contacts: orange wires (1) and yellow wires (2). Each contact is rated for 24 VAC at 3 amp.

Figure 3 LT410 to Liebert environmental units

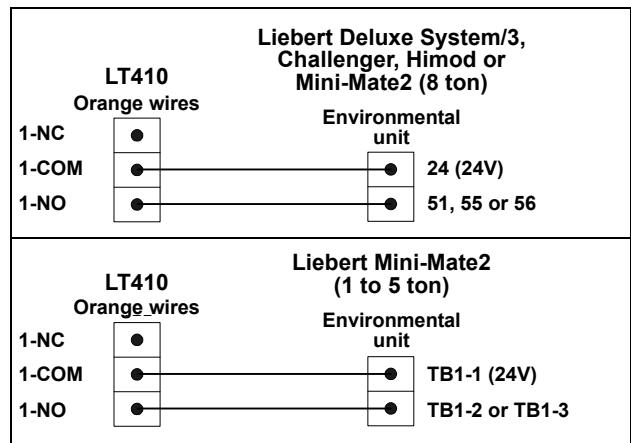


Figure 4 LT410 to Liebert contact monitor panel

