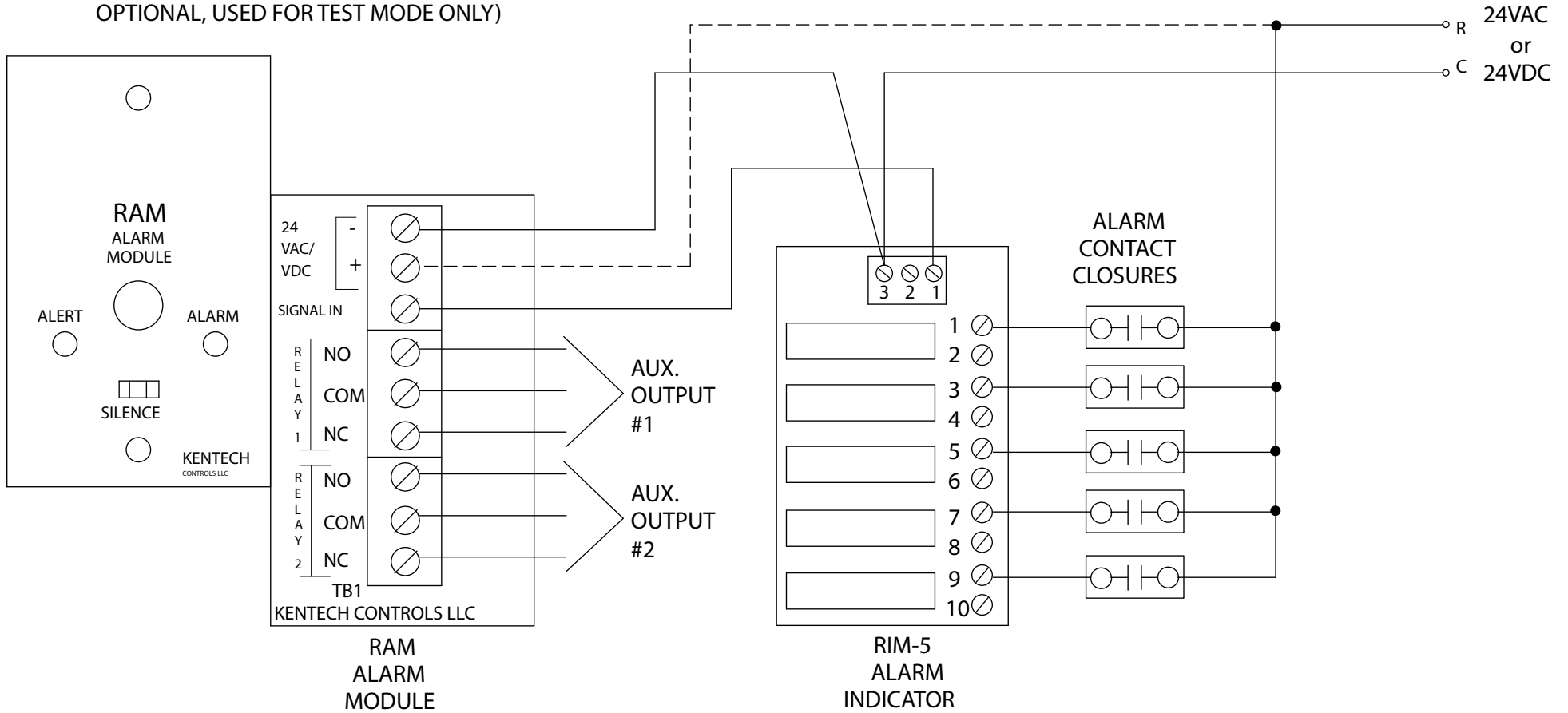


(WIRING TO (+) TERMINAL IS
OPTIONAL, USED FOR TEST MODE ONLY)



RAM W/RIM-5 WIRING 6-08

KENTECH CONTROLS LLC