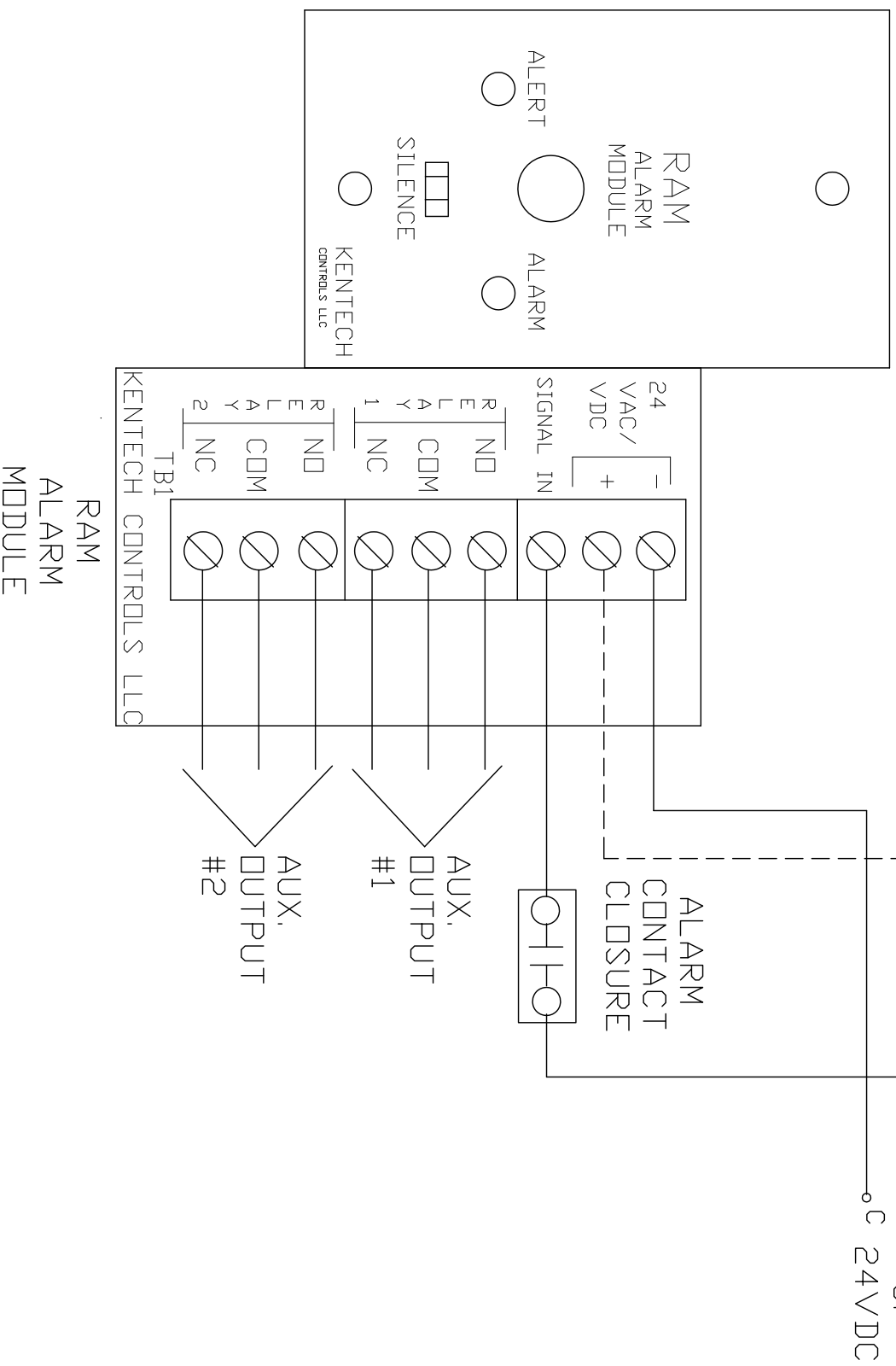


(WIRING TO (+) TERMINAL IS  
OPTIONAL, USED FOR TEST MODE ONLY)



RAM WIRING 6-08

KENTECH CONTROLS LLC